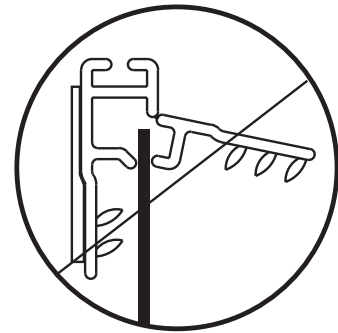
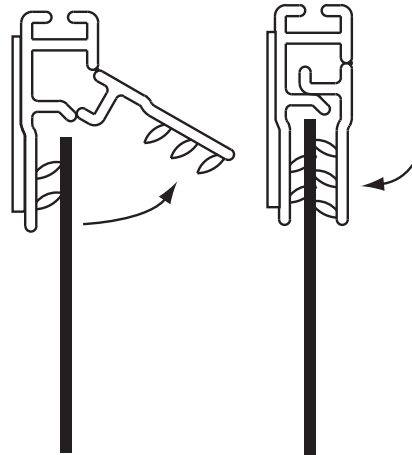


- ① Start at one end of banner hanger. Pry open hinged side. Work your way down until banner is open. Insert banner, snap shut to lock banner in place.



**CAUTION:**  
Do not feed banner into clamping mechanism.

**NOTE:** See illustration at right to determine how far to insert banner into banner hanger. Inserting banner too far into banner hanger may damage its hinge.

- ② **NOTE:** Mount to a clean, dry flat surface. If needed, clean surface with alcohol. Remove liner from adhesive pad. Place sign holder onto surface and press down firmly.

